

AXIAL FANS

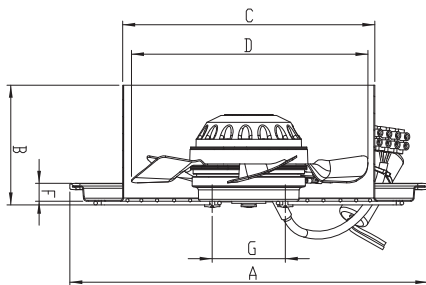
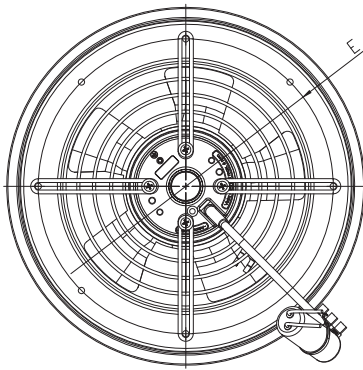


BDRAX

AC AXIAL FANS

They are ideal for applications where space is limited and high volume of airflow is needed.
BDRAX fans work at minimum noise level.

Technical Drawings



MATERIAL

: Casing is made of black powder coated sheet steel, impeller is made of electrostatic powder coated sheet and coupled with external rotor motor.

INSULATION CLASS

: Class B

DIRECTIVE

: EN 60335-1, EN 60335-2-80

SPEED CONTROL

: Speed can be adjusted using an optional controller.

APPLICATION AREAS

: Electrical Panel Cooling, UPS Systems, Air Conditioning & Refrigeration, Welding Sets and Rectifiers Industrial & Domestic Exhaust Fans, other applications that need cooling with high air volume and low pressure.

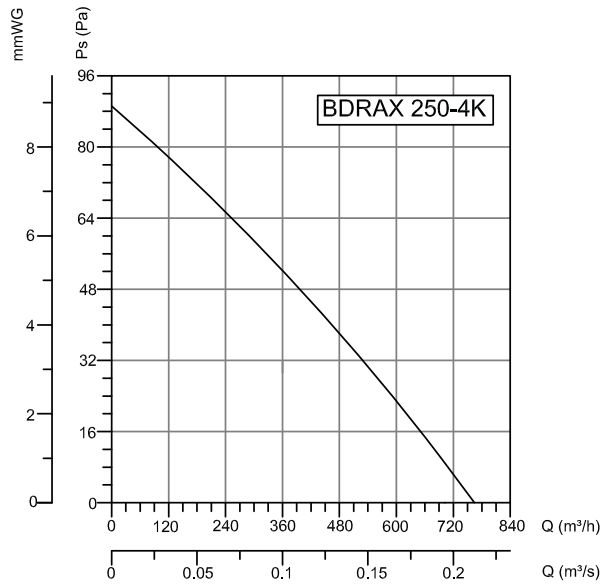
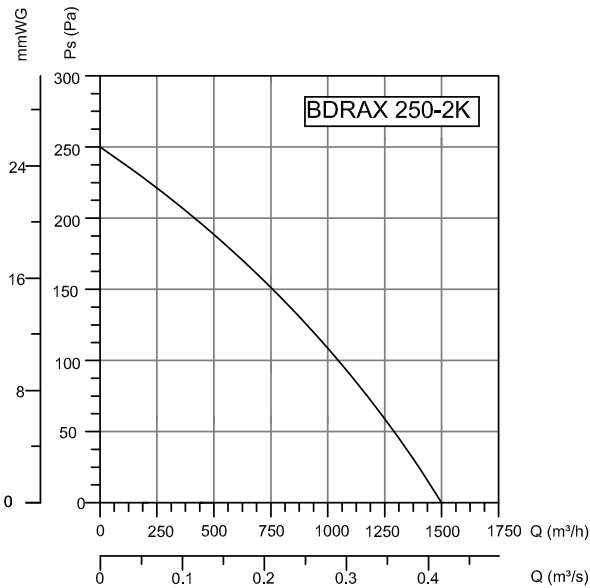
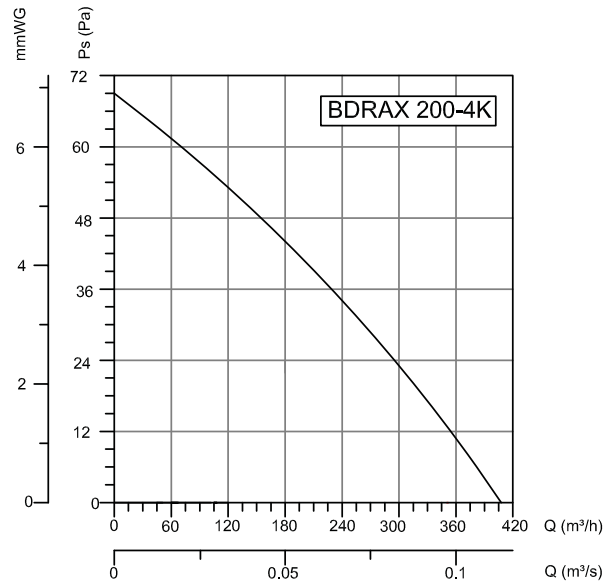
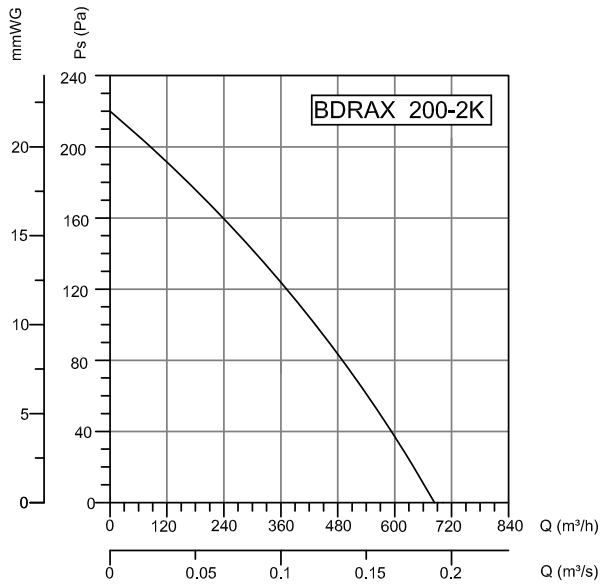
Accessories



BSC

| TYPE | A | B | C | D | E | F | G |
|--------------|-----|-----|-----|-----|-----|----|----|
| BDRAX 200-2K | 284 | 95 | 200 | 189 | 229 | 14 | 58 |
| BDRAX 200-4K | 284 | 95 | 200 | 189 | 229 | 14 | 58 |
| BDRAX 250-2K | 335 | 95 | 250 | 238 | 284 | 14 | 58 |
| BDRAX 250-4K | 335 | 95 | 250 | 238 | 284 | 14 | 58 |
| BDRAX 300-2K | 390 | 95 | 300 | 288 | 332 | 14 | 58 |
| BDRAX 300-4K | 390 | 95 | 300 | 288 | 332 | 14 | 58 |
| BDRAX 350-2K | 427 | 100 | 350 | 338 | 398 | 2 | 58 |
| BDRAX 350-4K | 427 | 100 | 350 | 338 | 398 | 2 | 58 |

Dimensions are in (mm)



| TYPE | VOLTAGE | FREQUENCY | POWER | CURRENT | CAPACITOR | SPEED | AIR FLOW | SOUND PRESSURE LEVEL | WEIGHT |
|--------------|---------|-----------|-------|---------|------------|-------|-------------------|----------------------|--------|
| | V | Hz | KW | (A) | (μ F) | d/d | m ³ /h | dB(A) | kg |
| BDRAX 200-2K | 230 | 50 | 67 | 0,32 | 2.5 | 2700 | 680 | 60 | 2 |
| BDRAX 200-4K | 230 | 50 | 52 | 0,3 | 1.5 | 1420 | 407 | 50 | 2.2 |
| BDRAX 250-2K | 230 | 50 | 110 | 0,5 | 4 | 2640 | 1500 | 70 | 2.7 |
| BDRAX 250-4K | 230 | 50 | 56 | 0,3 | 1.5 | 1380 | 760 | 60 | 2.7 |
| BDRAX 300-2K | 230 | 50 | 160 | 0,63 | 5 | 2630 | 2020 | 72 | 3.5 |
| BDRAX 300-4K | 230 | 50 | 63 | 0,3 | 2 | 1360 | 1410 | 60 | 3.5 |
| BDRAX 350-2K | 230 | 50 | 240 | 1,08 | 5 | 2280 | 3110 | 78 | 4.6 |
| BDRAX 350-4K | 230 | 50 | 72 | 0,32 | 3 | 1330 | 2340 | 65 | 4.6 |

DUCT FANS

ROOF FANS

AXIAL FANS

RADIAL FANS

PLASTIC FANS

VENTILATORS

SMOKE EXHAUST SYSTEMS

ACCESSORIES

AXIAL FANS

