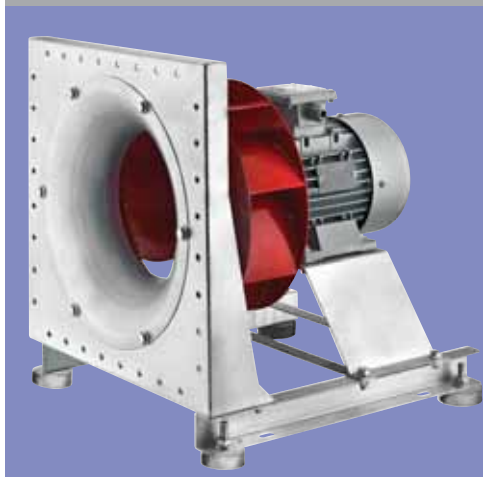


RADIAL FANS



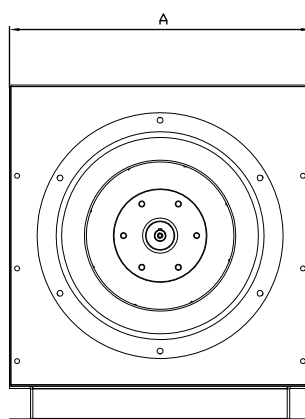
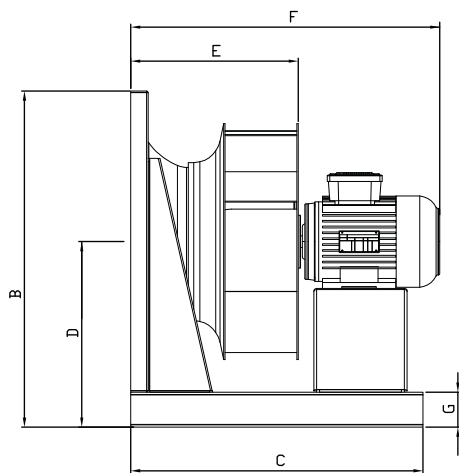
BPF

PLUG FAN Backward Curved

Compact module. Optimized aerodynamically and acoustically executions. Static pressure increase up to 2,000 Pa in the optimum range. Impeller diameter is 250 up to 560 mm nominal size. Motor with three PTC resistors, suitable for operation at frequency.

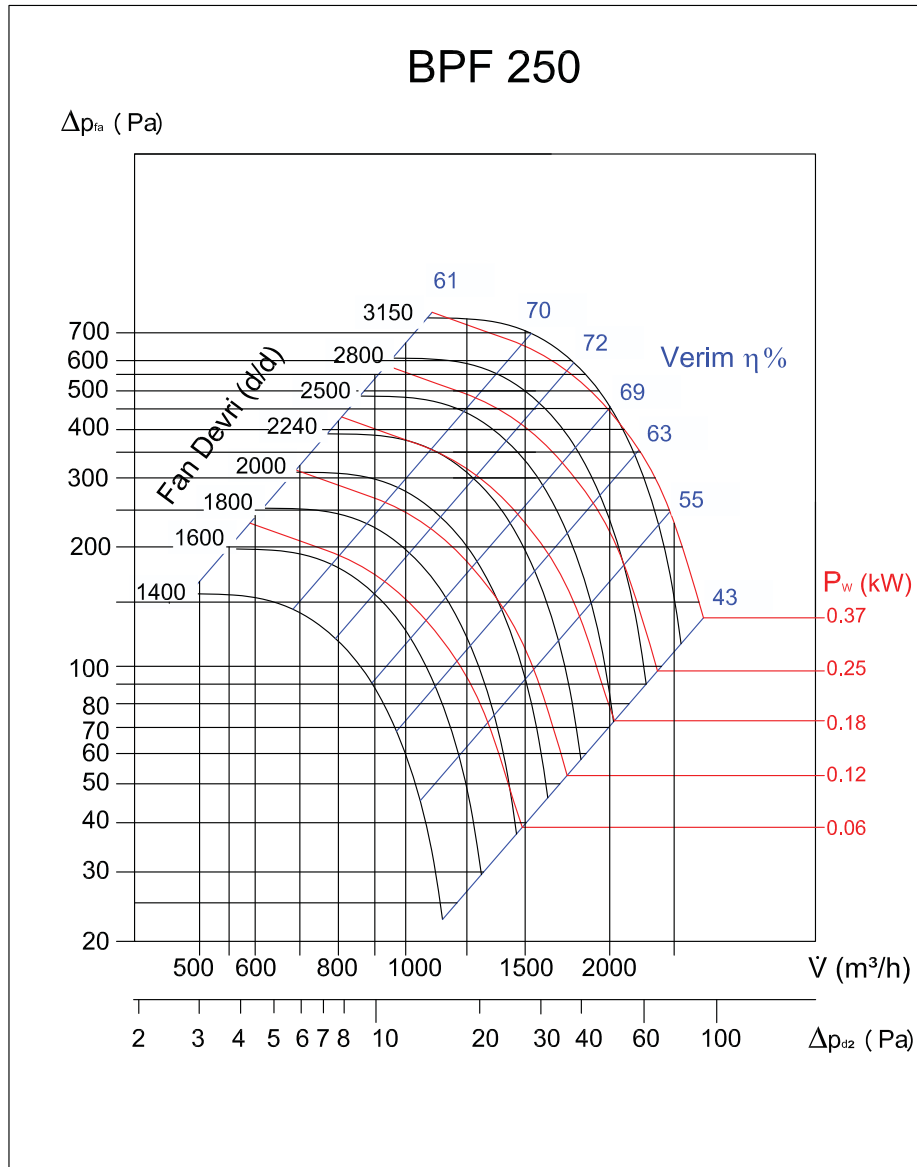
Technical Drawings

- MATERIAL** : Housing is made of galvanized sheet metal, fan is manufactured electrostatic powder painted and welded.
- INSULATION CLASS** : Class F
- DIRECTIVE** : EN 60335-1, EN 60335-2-80
- SPEED CONTROL** : Speed can be adjusted using an optional controller.
- APPLICATION AREAS** : In industrial air conditioning applications they save from energy and space. Plug fans are preferred in hygienic air handling units because they are easily cleaned and maintained.



TYPE	A	B	C	D	E	F	G
BPF 250 A	375	425	400	237,5	185	370	50
BPF 250 B	375	425	400	237,5	185	400	50
BPF 280 A	390	440	420	245	210	410	50
BPF 280 B	390	440	450	245	210	435	50
BPF 315 A	430	490	480	275	235	460	60
BPF 315 B	430	490	480	275	235	480	60
BPF 355 A	470	530	500	295	260	485	60
BPF 355 B	470	530	500	295	260	525	60
BPF 400 A	515	575	500	317,5	285	530	60
BPF 400 B	515	575	600	317,5	285	650	60
BPF 450 A	582	642	600	351	315	580	60
BPF 500 A	645	705	650	382,5	350	640	60
BPF 560 A	715	775	700	417,5	385	705	60

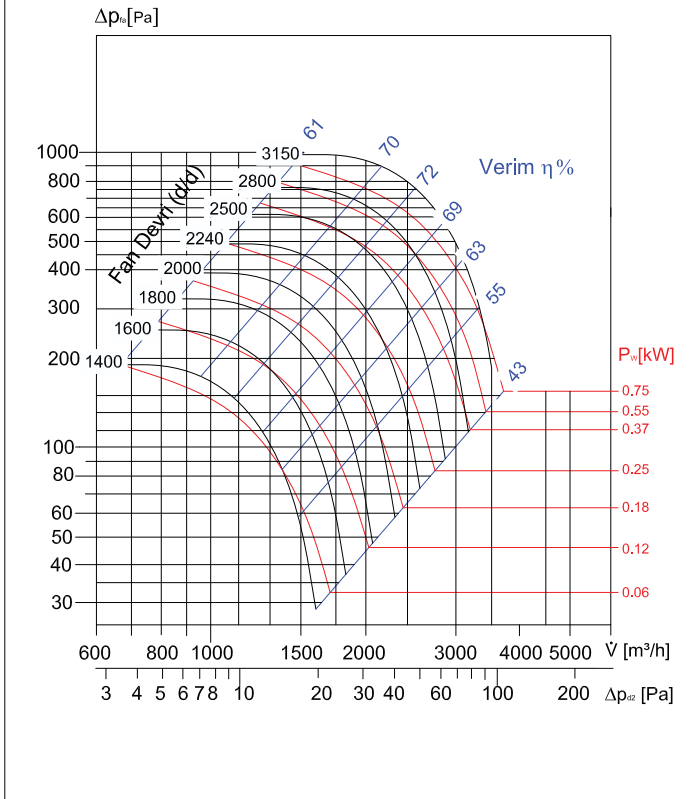
Dimensions are in (mm)



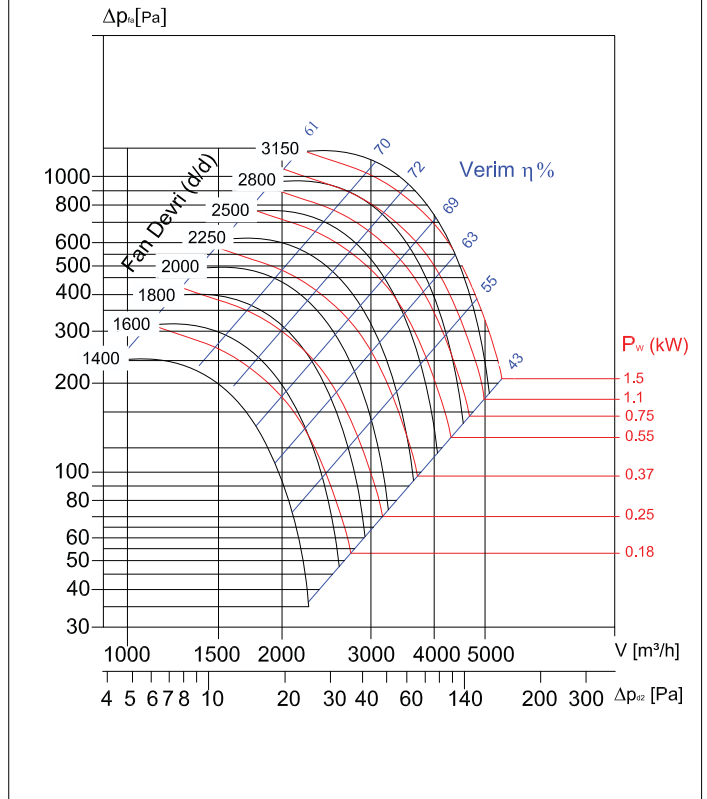
TYPE	VOLTAGE	FREQUENCY	POWER	CURRENT	SPEED	AIR FLOW	SOUND PRESSURE LEVEL	WEIGHT
	V	Hz	W	(A)	d/d	m ³ /h	dB(A)	kg
BPF 250 A	230/380	50	63	0,18	1400	800	120	17
BPF 250 B	230/380	50	71	0,37	2800	1500	500	19
BPF 280 A	230/380	50	63	0,18	1400	1100	170	21
BPF 280 B	230/380	50	71	0,55	2800	2200	600	23
BPF 315 A	230/380	50	71	0,37	1400	1600	200	24
BPF 315 B	230/380	50	80	1,1	2800	3200	750	26
BPF 355 A	230/380	50	71	0,37	1400	2500	250	28
BPF 355 B	230/380	50	90S	1,5	2800	4250	850	35
BPF 400 A	230/380	50	80	0,55	1400	3250	300	31
BPF 400 B	380	50	112M	4	2800	6500	1200	48
BPF 450 A	230/380	50	80	0,75	1400	4300	370	40
BPF 500 A	230/380	50	90L	1,5	1400	6500	450	54
BPF 560 A	230/380	50	100L	2,2	1400	9000	600	70

RADIAL FANS

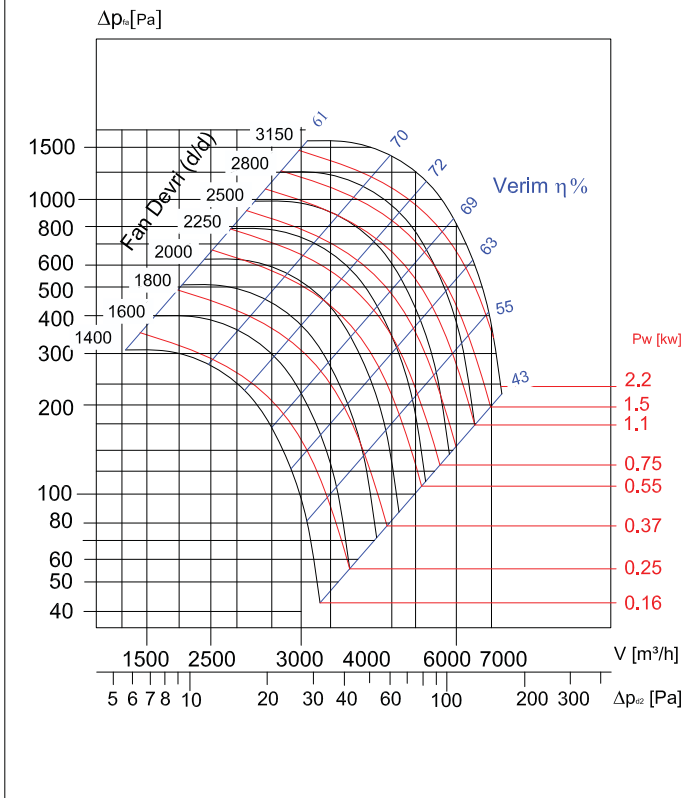
BPF 280



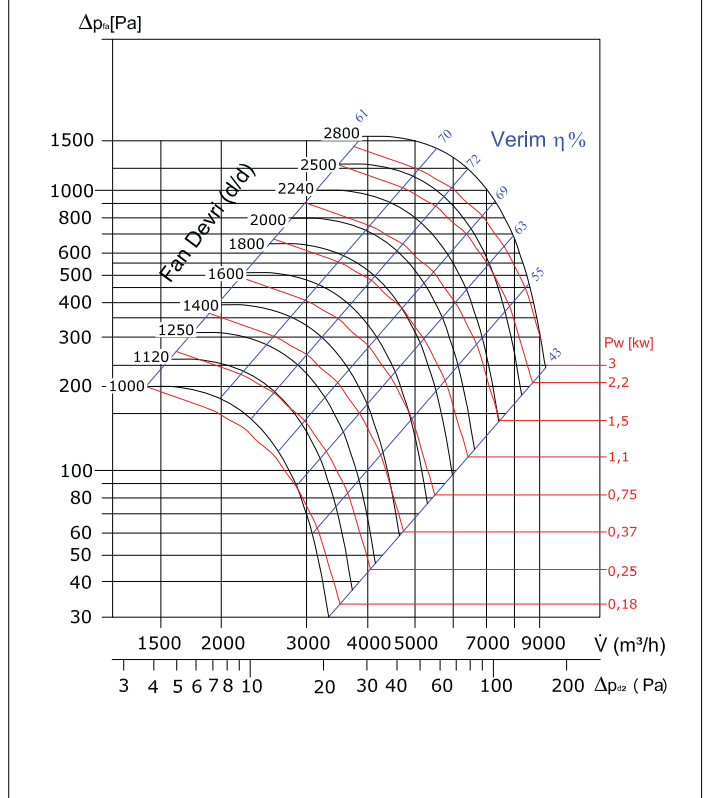
BPF 315

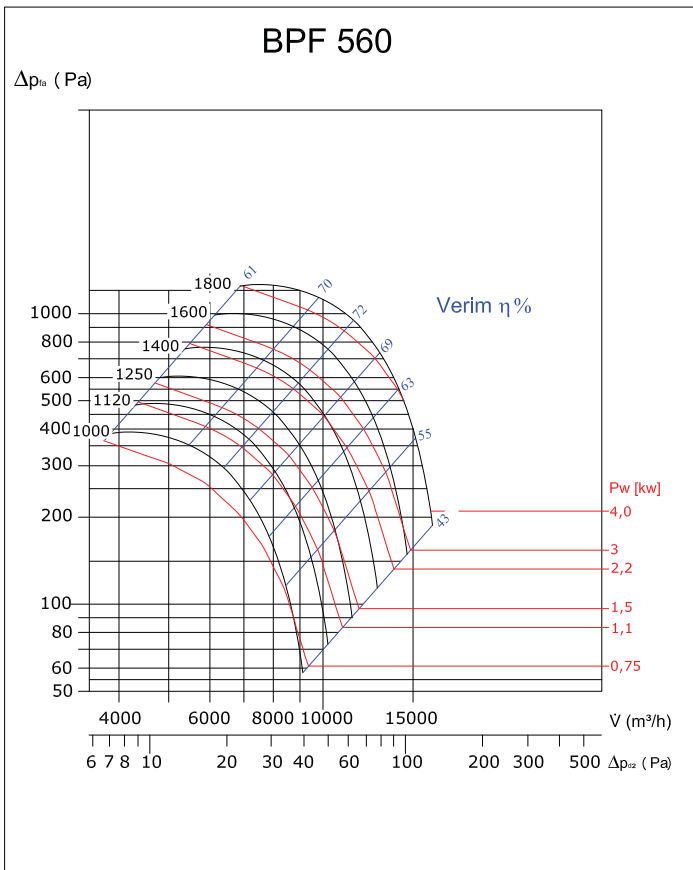
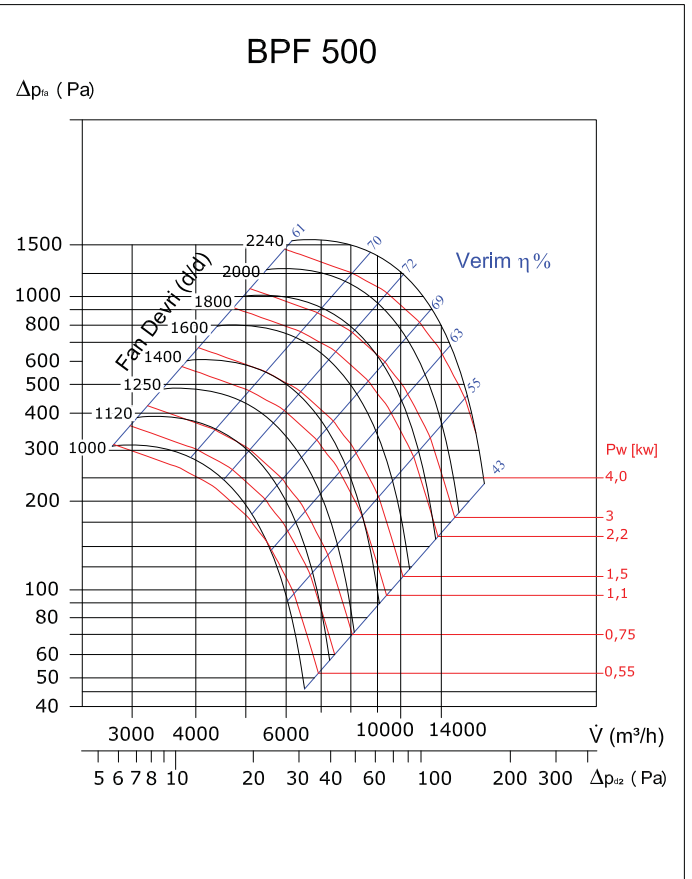
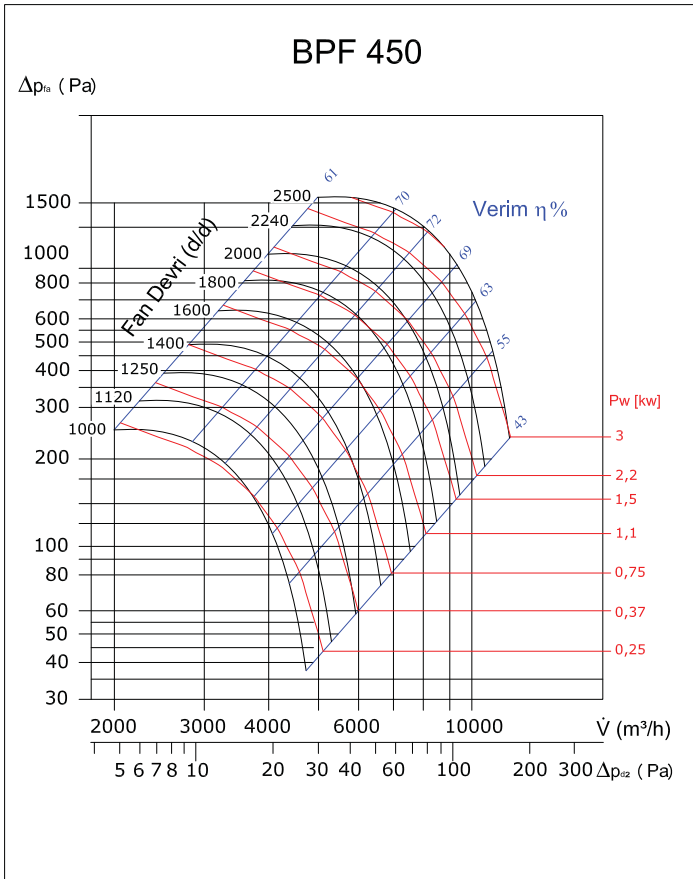


BPF 355



BPF 400





DUCT FANS

ROOF FANS

AXIAL FANS

RADIAL FANS

PLASTIC FANS

VENTILATORS

SMOKE EXHAUST SYSTEMS

ACCESSORIES