

BDKS

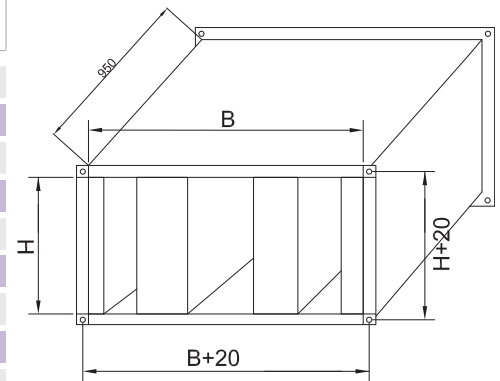
RECTANGULAR DUCT TYPE SILENCERS 300/150 - 1000/500

BDKS decreases the noise level efficiently at duct fans. Noise decrease level is designed for the capacities asked for.



Noise Reduction Value (dB)

TYPE	B	H	Noise Reduction Value (dB)							
			125	250	500	1k	2k	4k	8k	
BDKS 30-15	300	150	7	15	18	25	25	19	19	
BDKS 40-20	400	200	5	9	15	23	16	12	10	
BDKS 50-25	500	250	10	15	25	25	20	15	12	
BDKS 50-30	500	300	8	15	20	31	17	14	11	
BDKS 60-30	600	300	8	15	20	31	17	14	11	
BDKS 60-35	600	350	7	13	17	18	13	10	8	
BDKS 70-40	700	400	7	11	14	14	10	8	6	
BDKS 80-50	800	500	6	8	10	11	8	6	3	
BDKS 100-50	1000	500	6	8	10	11	8	6	3	



BYKS

CIRCULAR DUCT TYPE SILENCERS 100 - 355

BYKS decreases the noise level efficiently at cylindrical duct fans. Noise decrease level is designed for the capacities asked for. 50 mm isolation.



Noise Reduction Value (dB)

TYPE	B	H	Noise Reduction Value (dB)								
			125	250	500	1k	2k	4k	8k		
BYKS 100	900	100	200	960	4	15	34	50	50	48	23
BYKS 125	900	125	224	965	4	12	33	45	50	30	17
BYKS 150	900	150	250	965	4	10	28	42	43	20	15
BYKS 160	900	160	260	970	4	10	28	40	41	20	14
BYKS 200	900	200	300	985	4	8	24	32	34	13	10
BYKS 250	900	250	355	900	4	8	20	26	23	10	8
BYKS 315	900	315	415	900	3	7	16	22	12	6	7
BYKS 355	900	355	560	900	3	5	10	13	7	5	6

