

RADIAL FANS



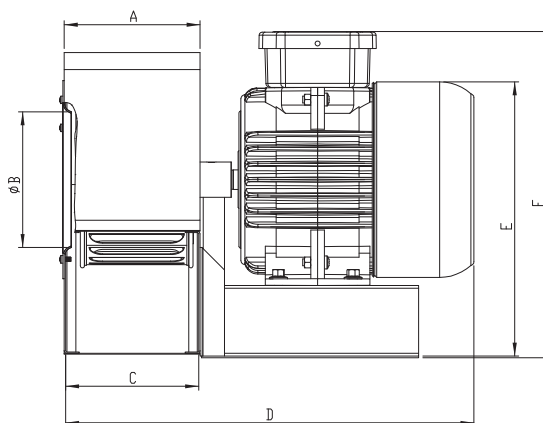
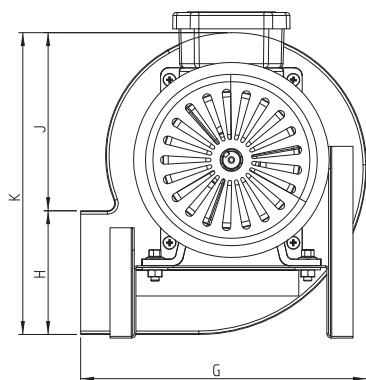
OBR 140

AC CENTRIFUGAL FANS
Single Inlet

OBR 140 works at higher temperatures due to out of airflow motor location. Forward curved impellers suit higher pressure points.

- MATERIAL** : Housing is made of electrostatic powder coated sheet metal, forward curved impeller is made of galvanized sheet metal.
- INSULATION CLASS** : Class B
- DIRECTIVE** : EN 60335-1, EN 60335-2-80
- SPEED CONTROL** : Speed can be adjusted using an optional controller.
- APPLICATION AREAS** : Factories, depots, dyehouses, plants, machines etc. likely dusty places where dust and heat must be circulated.

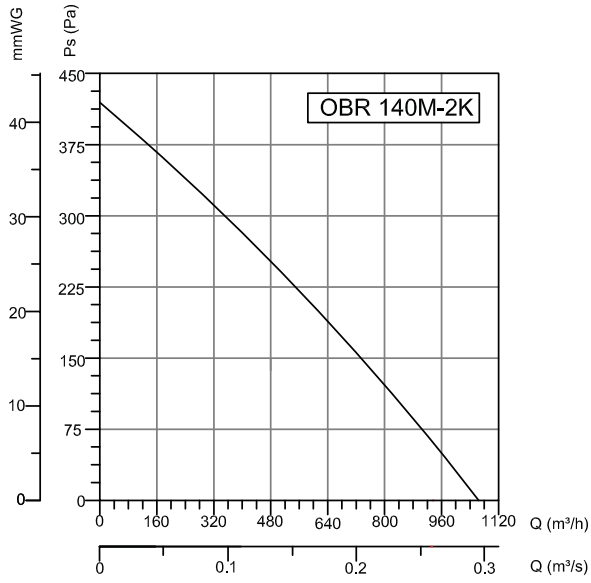
Technical Drawings



TYPE	VOLTAGE	FREQUENCY	POWER	CURRENT	CAPACITOR	SPEED	AIR FLOW	SOUND PRESSURE LEVEL	WEIGHT
	V	Hz	KW	(A)	(μ F)	d/d	m ³ /h	dB(A)	kg
OBR 140M-2K	230	50	225	1,2	8	2920	1100	65	7,2

TYPE	A	B	C	D	E	F	G	H	J	K
OBR 140M-2K	103	106	102	294	200	240	204	91	125	216

Dimensions are in (mm)



Accessories



BSC



BYH



DUCT FANS

ROOF FANS

AXIAL FANS

RADIAL FANS

PLASTIC FANS

VENTILATORS

SMOKE EXHAUST SYSTEMS

ACCESSORIES