

# RADIAL FANS



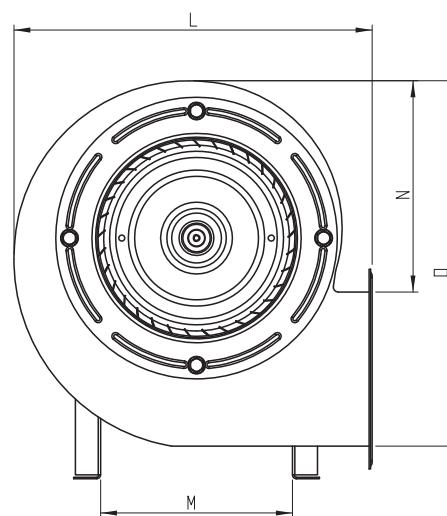
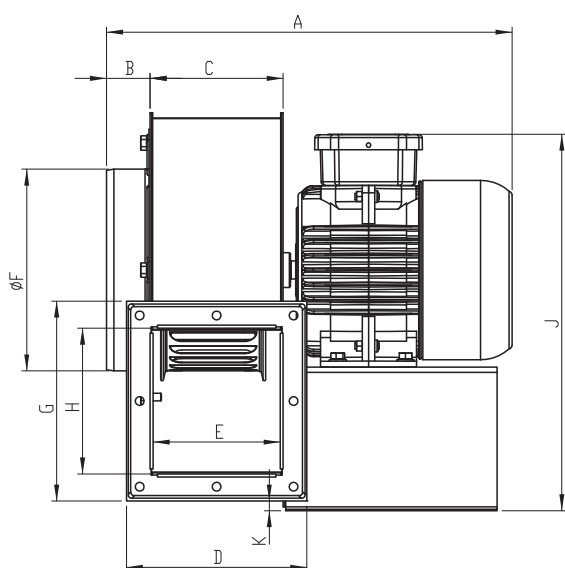
## OBR 200

AC CENTRIFUGAL FANS  
Single Inlet

OBR 200 works at higher temperatures due to out of airflow motor location. Forward curved impellers suit higher pressure points.

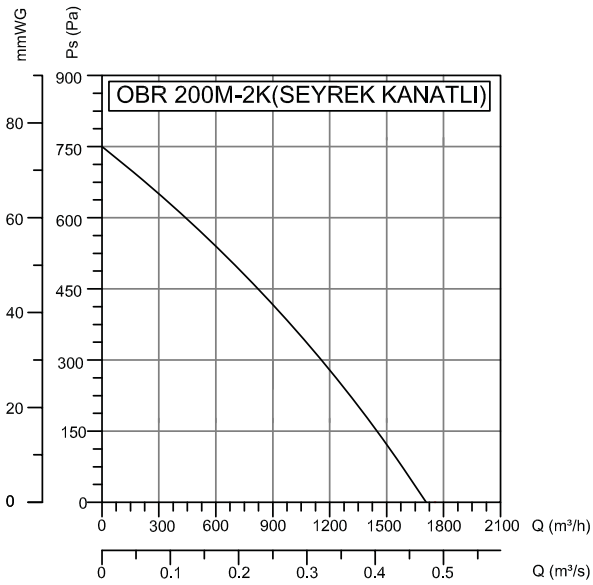
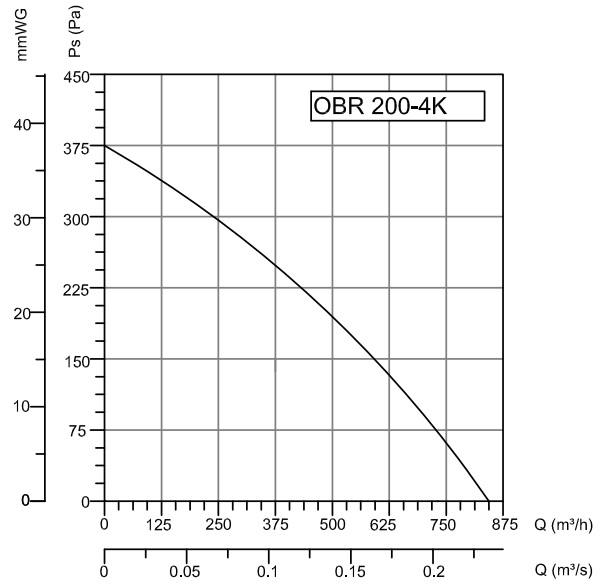
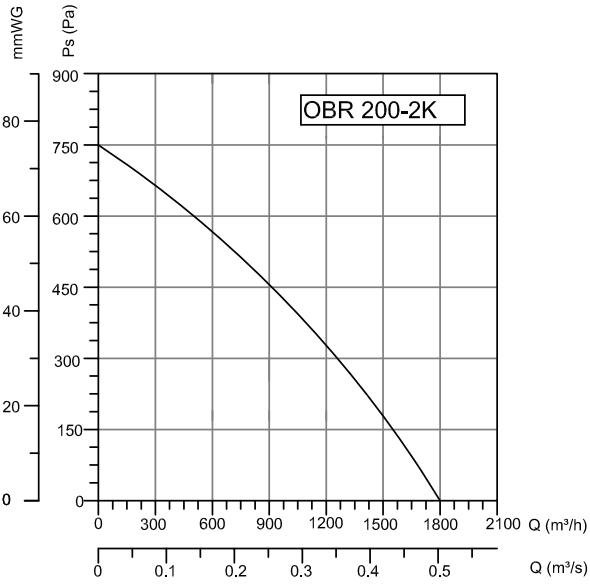
- MATERIAL** : Housing is made of electrostatic powder coated sheet steel. Forward curved impeller is made of galvanized steel.
- INSULATION CLASS** : Class B
- DIRECTIVE** : EN 60335-1, EN 60335-2-80
- SPEED CONTROL** : Speed can be adjusted using an optional controller.
- APPLICATION AREAS** : Factories, depots, dyehouses, industrial iron machines, plastic and packing machines etc. likely dusty places where dust and heat must be circulated, and cooling systems.

### Technical Drawings



TYPE	A	B	C	D	E	F	G	H	J	K	L	M	N	O
OBR 200	322	34	109	146	102	163	161	115	310	17	288	150	170	295

Dimensions are in (mm)



### Accessories



TYPE	VOLTAGE	FREQUENCY	POWER	CURRENT	CAPACITOR	SPEED	AIR FLOW	SOUND PRESSURE LEVEL	WEIGHT
	V	Hz	W	(A)	( $\mu$ F)	d/d	m <sup>3</sup> /h	dB(A)	kg
OBR 200M-2K	230	50	580	2,6	8	2770	1800	65	9
OBR 200M-4K	230	50	190	1,1	8	1450	850	60	8,4
OBR 200M-2K (Seyrek Kanatlı)	230	50	260	1,5	8	2900	1700	65	9,3
OBR 200T-2K	380	50	140	0,7	-	2960	1800	70	8,3
OBR 200T-4K	380	50	190	0,9	-	1465	850	65	8,4